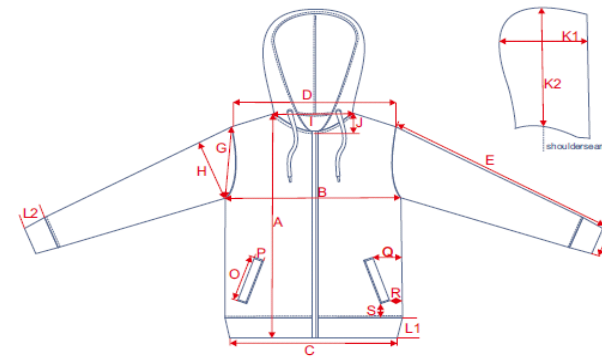


BY016_Windrunner

Tolerances: +/- 2 cm

	Description		S	M	L	XL	XXL
A	Length	cm	68	70	72	75	78
B	1/2 Chest Width	cm	52	55	58	61	64
C		cm					
D		cm					
E	Sleeve Length	cm	65	66	67	68	69
F		cm					
G		cm					
H		cm					
I		cm					
J		cm					
K1		cm					
K2		cm					
L1		cm					
L2		cm					
M		cm					
N		cm					
O		cm					
P		cm					
Q		cm					
R		cm					
S		cm					



Article Description	Set-in sleeves - mesh lining - neutral sizenlabel without branding, neckprint possible - rib cuff at the hem and sleeve openings - hood with single seam - metal eyelets at the hood with round drawstrings - side pockets with zipper - zippers at the back inside for easy processing of back and front - water resistant
Fabric	100% nylon, 230T; Lining: 100% polyester, mesh, 130 gsm
Colors	Black/White, Black/Red, Black/Black